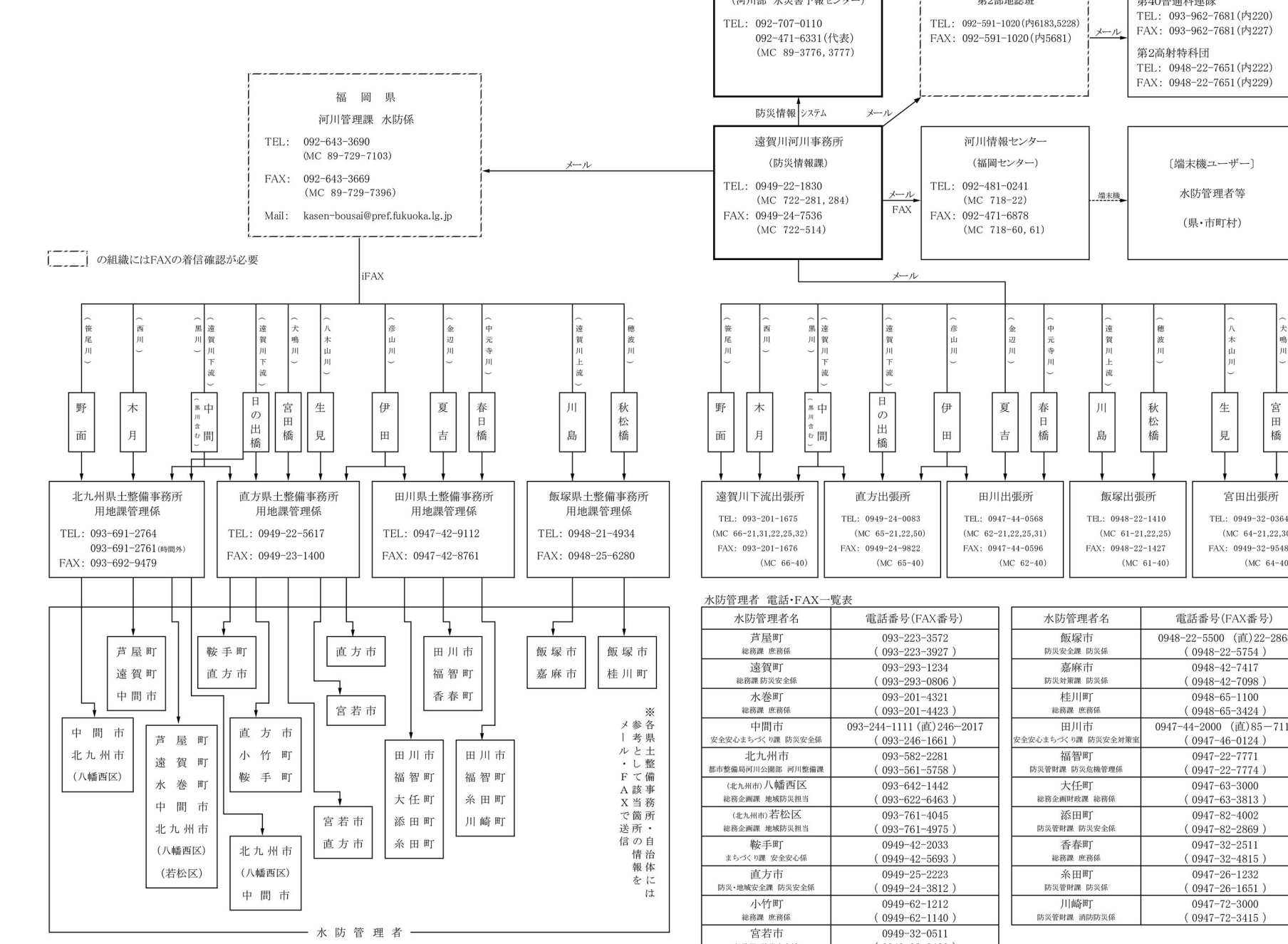


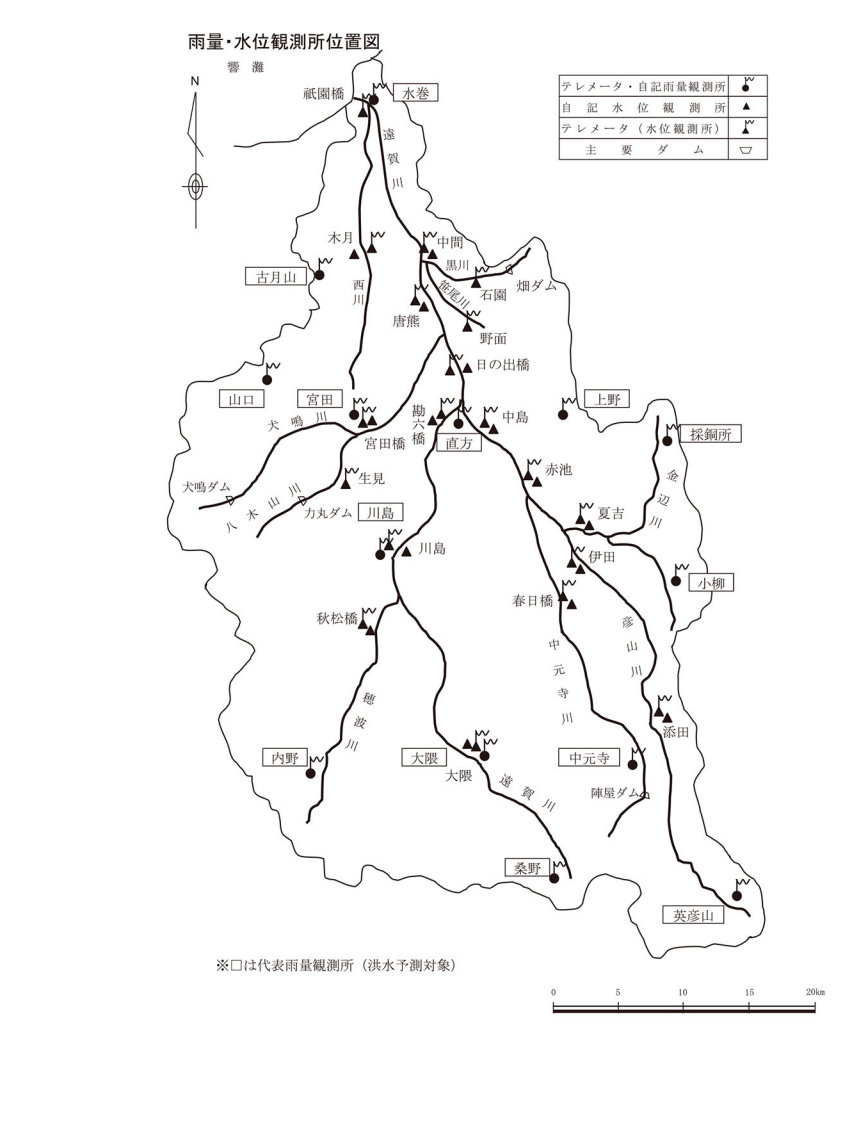
1. 水防警報

水防警報の通知
水防警報の発着者(通知)担当事務局長



2-1 水位観測所

Table of water level observation stations with columns for station name, location, type, and status.



2-2 雨量観測所一覧表

Table listing rain gauge observation stations with columns for station name, location, and coordinates.

3. 水防資材

①堤防側番

Table detailing flood defense materials (堤防側番) including equipment types and quantities.

②災害時資材配置表

Table showing disaster relief material deployment (災害時資材配置表) for various municipalities.

③水防倉庫一覧表

Table listing flood defense warehouses (水防倉庫) with details on location and capacity.

④根拠ブロック

Table detailing the basis blocks (根拠ブロック) for flood defense planning.

⑤水防資材配置表

Table showing flood defense material deployment (水防資材配置表) for various municipalities.

⑥重要水防所一覧表

Table listing important flood defense points (重要水防所) with their respective details.

⑦重要水防所一覧表

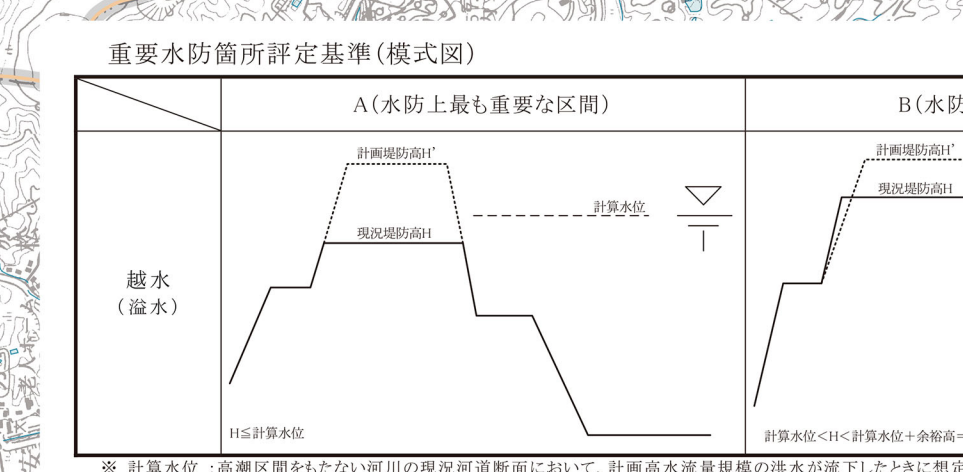
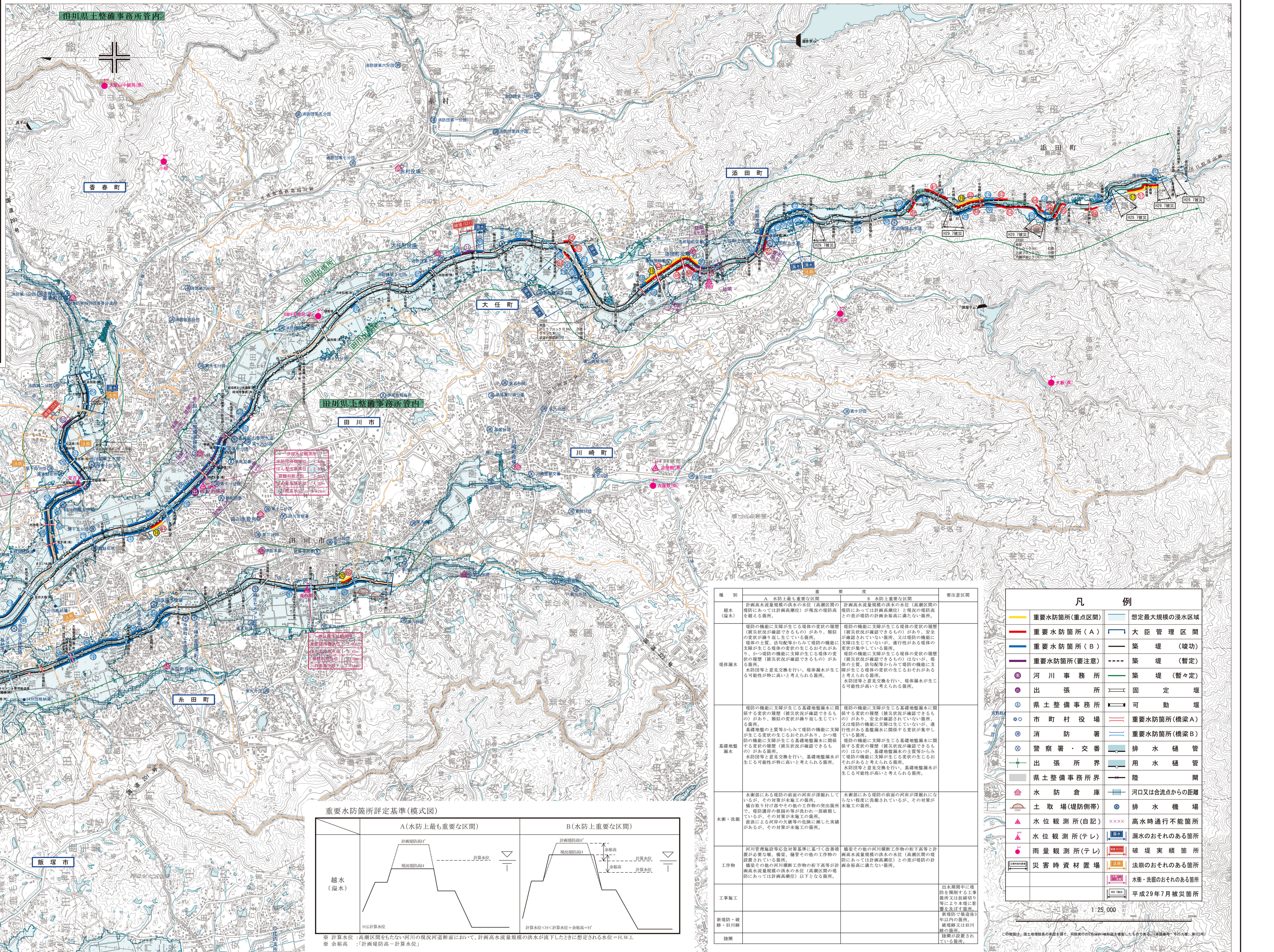
Table listing important flood defense points (重要水防所) with their respective details.

⑧重要水防所一覧表

Table listing important flood defense points (重要水防所) with their respective details.

⑨重要水防所一覧表

Table listing important flood defense points (重要水防所) with their respective details.



Legend for the flood defense map, defining symbols for various types of defense points and structures.

堤防水に係る重要水防所評定基準(審)の考え方
This section explains the criteria for evaluating important flood defense points related to levees.

Table showing the evaluation criteria for important flood defense points related to levees.